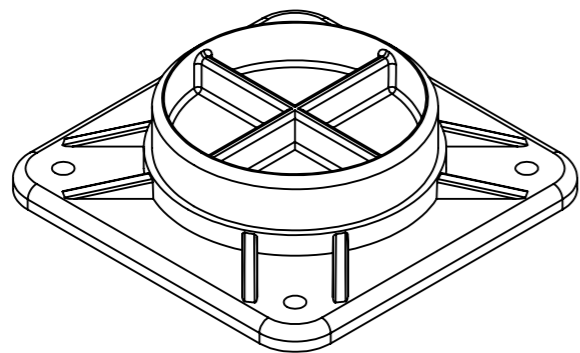


4x Ø9



Přesné rozměry viz 3D model.

UNLESS OTHERWISE SPECIFIED: DIMENSIONS ARE IN MILLIMETERS		FINISH:		DEBUR AND BREAK SHARP EDGES		DO NOT SCALE DRAWING		REVISION	
ISO 2768 mK						Garsys, s.r.o.			
						TITLE: DNO			
DRAWN Chorzempa		SIGNATURE		DATE 6.12.2012		DWG NO. V-SPR120-002		A3	
CHK'D						MATERIAL: PVC			
APPV'D						WEIGHT:		SCALE:1:2	
MFG								SHEET 1 OF 1	
Q.A									